

# Car-Motion form Viessmann controlled by Windigipet

Jens Krogsgaard 15-8-2023

---

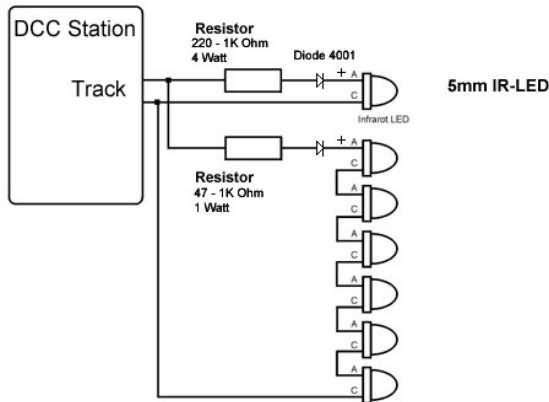
DCC-Commands are sent from the central-station to the car with IR-Leds. They control speed and the and the cars functions.

Read more here:

[Category:DC-Car-System - wiki-en](#)

## IR-LED connected directly to a Digital Controller

The IR-LED (same as with the Function Module) connected to a Diode (1N400x) and a resistor (1kOhm to 200 Ohm) can send the DCC-Signal direct to the car. The range depending on resistance is 10-40 cm.



The cars must use the main track signal. They will not operate on the programming port of the controller.

I have used these components:

Component	Description	Link
5 mm-IR-LED	940nm, 30mW (20 degree)	<a href="https://www.elextra.dk/p/5mm-ir-led-rund-transparent-bl%C3%A5-940nm-30mw-20/H14656">https://www.elextra.dk/p/5mm-ir-led-rund-transparent-bl%C3%A5-940nm-30mw-20/H14656</a>
Diode	1N400x	<a href="https://www.elextra.dk/komponenter/dioder-og-brokoblinder/dioder/1n4004-ensretterdiode-400v-1a-do41/H13958">https://www.elextra.dk/komponenter/dioder-og-brokoblinder/dioder/1n4004-ensretterdiode-400v-1a-do41/H13958</a>
Resistor	330 ohm	
Reed-contact	10W (0,5A) Ø2,2x14mm	<a href="https://www.elextra.dk/p/reed-sensorkontakt-1-x-slutte-10w-05a-%C3%B822x14mm/H32620">https://www.elextra.dk/p/reed-sensorkontakt-1-x-slutte-10w-05a-%C3%B822x14mm/H32620</a>

