

# GROUP I

## WATER TURBINE SYSTEM

---

FRENCH: ALEXANDRE SANCHEZ, ANTHONY PETIT AND JEAN PIERRE PHAM

DANISH: TIM HAMMER, MADS HARTER AND ALBERT CHRISTENSEN



# OUR IDEA

---

- Using water and solar energy
- Original idea
- Current idea
- Small scale
- Goal



# WHY WE CHOSE IT

---

- Unused energi
- Not to complicated

# MODEL

---

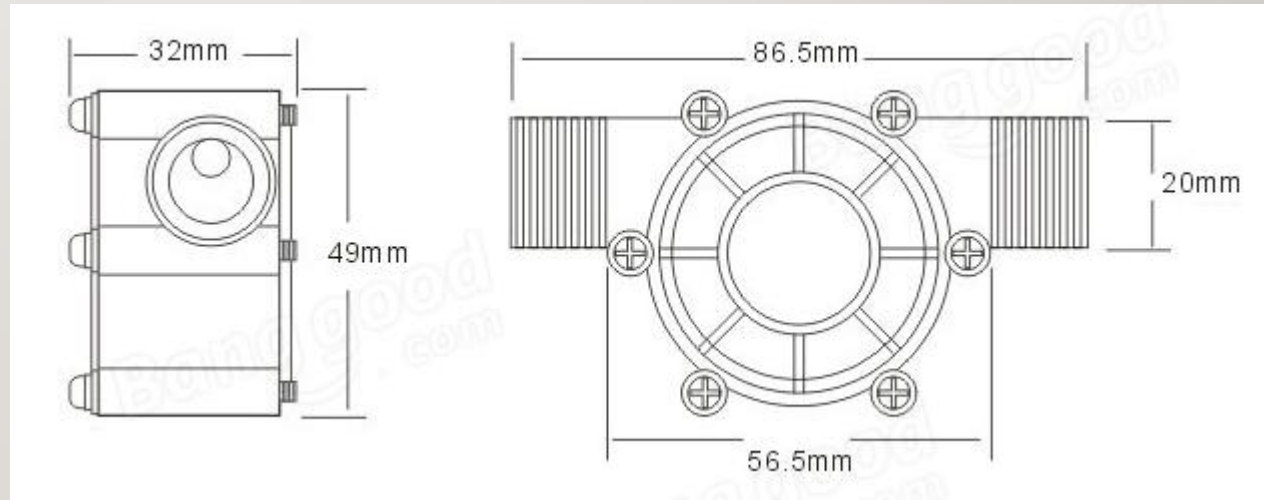
- Closed or open system
- River/canal
- Pumps and pipes



# POWER

---

- Power needed
- Approximate energy provided



## Energy Chain :

### Hydraulic Turbine :

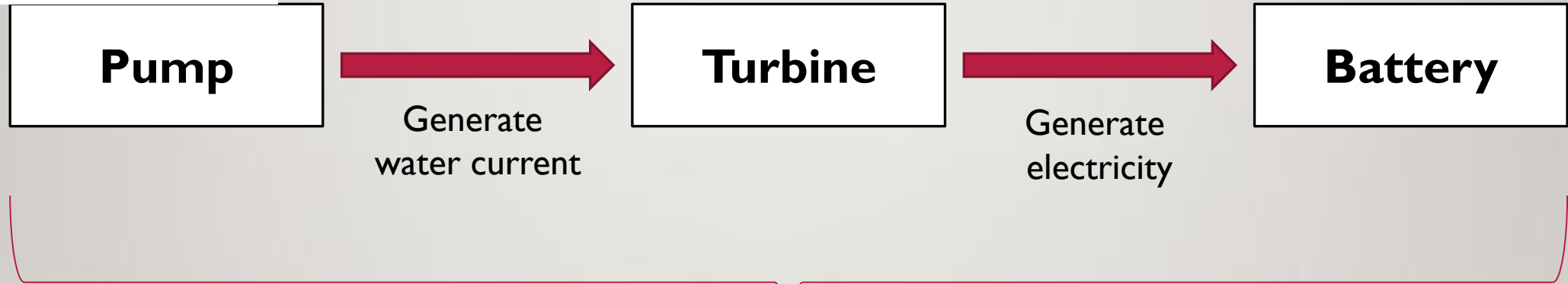


### Pump :





## Order Chain :



- Control water flow
- Calculate generated power

# PARTS LIST

Part	Function	Dealer	Cost	Link
Turbine 1/2 inch	Generate power	Amazon.fr	€14,20(x2)	<a href="https://www.amazon.fr/Yosoo-Micro-turbine-hydraulique-eacute-rateur/dp/B00ZCBNNOC/ref=sr_1_fkmr0_3?ie=UTF8&amp;qid=1478615753&amp;sr=8-3-fkmr0&amp;keywords=zqter+turbine">https://www.amazon.fr/Yosoo-Micro-turbine-hydraulique-eacute-rateur/dp/B00ZCBNNOC/ref=sr_1_fkmr0_3?ie=UTF8&amp;qid=1478615753&amp;sr=8-3-fkmr0&amp;keywords=zqter+turbine</a>
Water meter 3/4 inch	Measure water current	Amazon.com	\$11,59	<a href="https://www.amazon.com/P3-P0550-Water-Meter/dp/B0058EOCSM/ref=sr_1_2?ie=UTF8&amp;qid=1479108421&amp;sr=8-2&amp;keywords=flow+meter">https://www.amazon.com/P3-P0550-Water-Meter/dp/B0058EOCSM/ref=sr_1_2?ie=UTF8&amp;qid=1479108421&amp;sr=8-2&amp;keywords=flow+meter</a>
Fittings	Connection between parts and garden hose			
Garden hose	Connect the different parts			



# GANTT

## Water turbine system

Current week: 46

Planned Actual % Complete Actual (non-planned) %Complete (non-planned)

It is estimated that the french students are in denmark the last week of march and the first week of april

Both danish and french students Danish students

ACTIVITIES PLANNED START PLANNED DURATION ACTUAL START ACTUAL DURATION PROCENT COMPLETE

PERIODS 45 46 47 48 49 50 51 52 1 2 3 4 5 6 7 8 9 10 11 12 13

\* Danish students has SRP and holidays and will not be working on the project in these weeks

